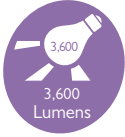


BenQ MX550 XGA Business Projector

3600 ANSI Lumens, Contrast Ratio: 20,000:1,
Dual HDMI, Upto 15000hrs Extra Long Lamp Life



Dual
HDMI™

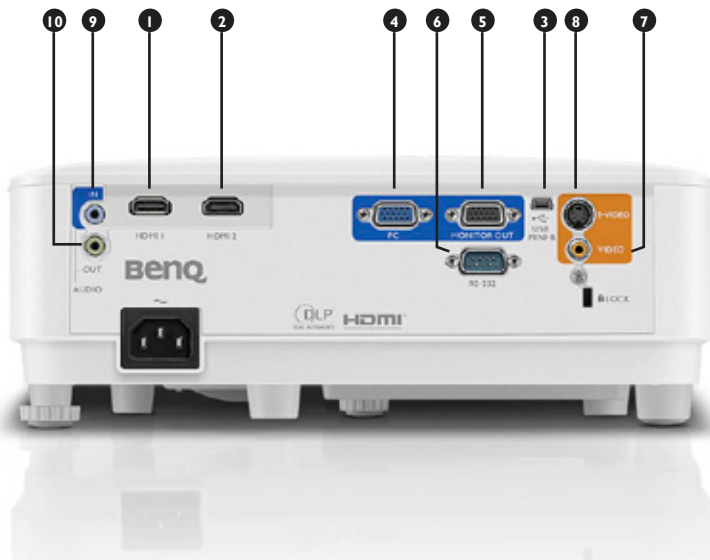


Category	Spec Attribute	MX550	
Display	Projection System	DLP Single 0.55" XGA	
	DMD type	DC3 DMD Chip	
	Native Resolution	1024 x 768 pixels	
	Brightness	3600 ANSI Lumens	
	Contrast Ratio*	20,000:1	
	Display Color	1.07 Billion Colors	
	Aspect Ratio	Native 4:3 (5 aspect ratio selectable)	
	Light Source	Lamp	
Optical	Light Source life*	5000/10000/10000/15000 hours(Normal/Eco/SmartEco/Lamp save mode)	
	Throw Ratio	1.96~2.15	
	Zoom Ratio	1.1x	
	Lens Control	Manual Zoom and Focus	
Audio	Keystone Correction	Vertical: ± 40 degrees	
	Projection Offset	110%±2.5%	
Special Feature	Projection Size	30" ~ 300"	
	Speaker	2W	
Compatibility	Security	Security Bar, Kingsington lock	
	Resolution Support	VGA(640 x 480) to WVUXGA_RB(1920X1200) *RB=Reduced blanking	
	Horizontal Frequency	15K~102KHz	
	Vertical Scan Rate	23~120KHz	
	HDTV Compatibility	480i, 480p, 576i, 567p, 720p, 1080i, 1080p	
Connectivities	I/O Port	Video Compatibility	NTSC, PAL, SECAM
		HDMI-1	x1
		HDMI-2	x1
		USB Type min B	(For Page up/down and FW upgrade) x1
		Computer In	(D-sub 15pin, Female) x1
		Monitor out	(D-sub 15pin, Female) x1
		RS232 In	(D-sub 9pin, male) x1
		Composite Video	(RCA) x1
		S-Video	x1
		Audio in	(mini jack) x1
		Audio out	(mini jack) x1
		IR Receiver	(Front+Rear) x2
Power	Power Consumption(Max/Normal/Eco)	TBD(~270W)	
	Standby Power Consumption	Normal < 0.5Watts.	
	Power Supply	100 ~ 240V AC	
Dimension and Weight	Product Dimensions (WxHxD)	296mm x 120mm x 221mm	
	Product Weight	2.3 Kg	
Operation Condition	Noise Level(Normal/Eco)	33/29 dBA	
	Operating Temperature*	0 ~ 40°C	
Accessories	Accessories (Standard)	Remote control (5J.JGV06.001)	
		AAA Battery x2	
Power Cord (by region)			
VGA cable			
Accessories (Optional)	Warranty Card (by region)		
	QSG (4J.JHY01.001)		
	Spare Lamp Kit (5J.JHH05.001)		
OSD	On Screen Display Language	3D Glasses (5J.J9H25.002)	
		Ceiling mount	
		Arabic/Bulgarian/ Croatian/ Czech/ Danish/ Dutch/ English/ Finnish/ French/ German/ Greek/ Hindi/ Hungarian/ Italian/ Indonesian/ Japanese/ Korean/ Norwegian/ Persian/ Polish/ Portuguese/ Romanian/ Russian/ Simplified Chinese/Spanish/ Swedish/ Turkish/ Thai/ Traditional Chinese/ Vietnamese (30 Languages)	

*LightSource life results will vary depending on environmental conditions and usage. Actual product's features and specifications are subject to change without notice.

* The Contrast is measure by Full On Full Off standard.

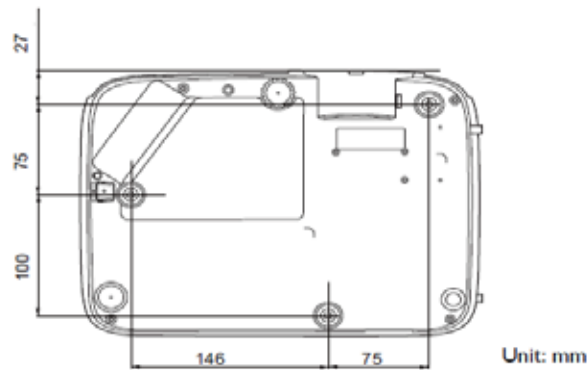
Connectivity



		Qty
1	HDMI-1	1
2	HDMI-2	1
3	USB Type min B(For Page up/down and FW upgrade)	1
4	Computer In (D-sub 15pin, Female)	1
5	Monitor out (D-sub 15pin,Female)	1
6	RS232 In (D-sub 9pin, male)	1
7	Composite Video(RCA)	1
8	S-Video	1
9	Audio in(mini jack)	1
10	Audio out(mini jack)	1
11	IR Receiver(Front+Rear)	1

Ceiling / Wall Mount Chart

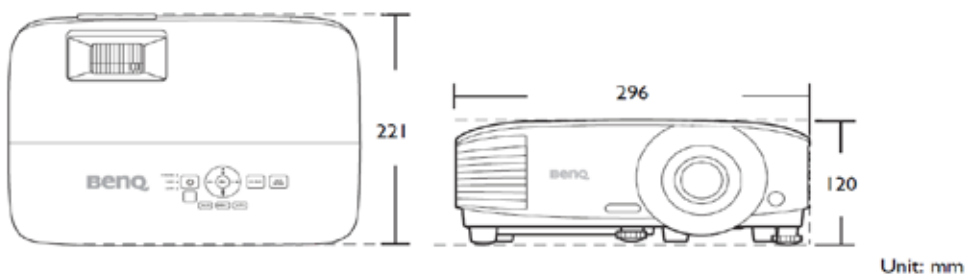
Ceiling/Wall mount screw: M4
(Max L = 25 mm; Min L = 20 mm)



Dimensions

Dimensions

296 mm (W) x 120 mm (H) x 221 mm (D)



Corporate Office: BenQ India Pvt. Ltd.

9B Building, 11th Floor, DLF Cyber City, DLF Phase III, Gurgaon Haryana, India - 122002,

Tel: +91 124-4501400, Fax: +91 124-4501400

www.BenQ.in, Customer Care No. 1800-419-9979, E-mail: Sales.EnquiryIn@BenQ.com



2 Years Onsite Warranty for Projector.
Lamp Warranty of 1 year or 1000 Hrs whichever is earlier

www.BenQ.in | Like BenQ India on

